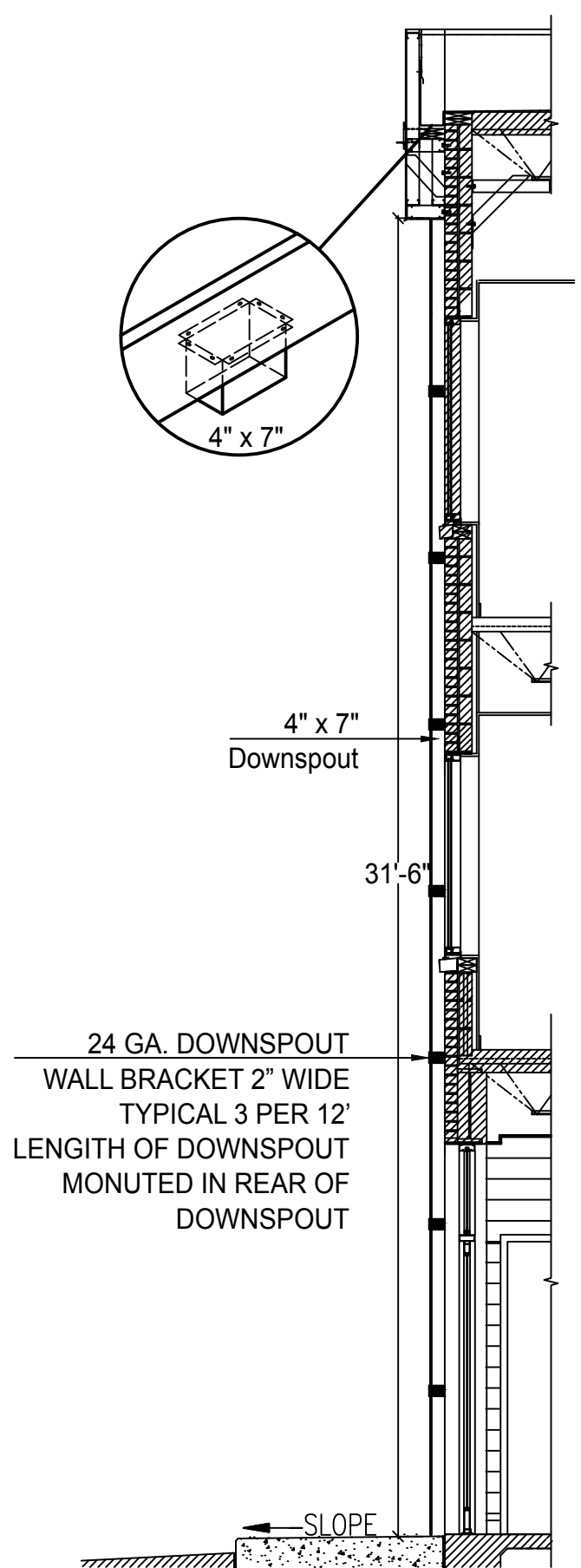
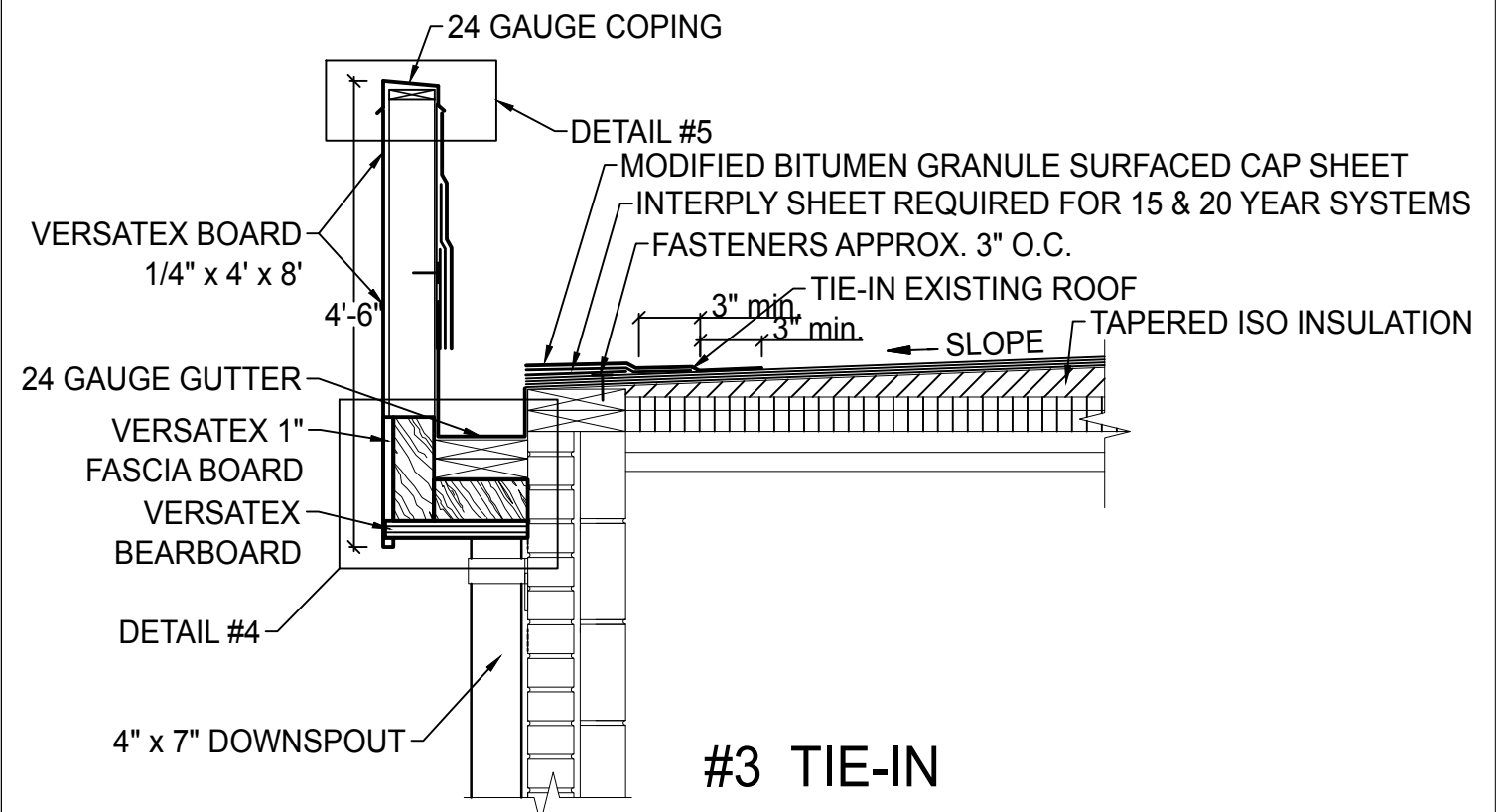


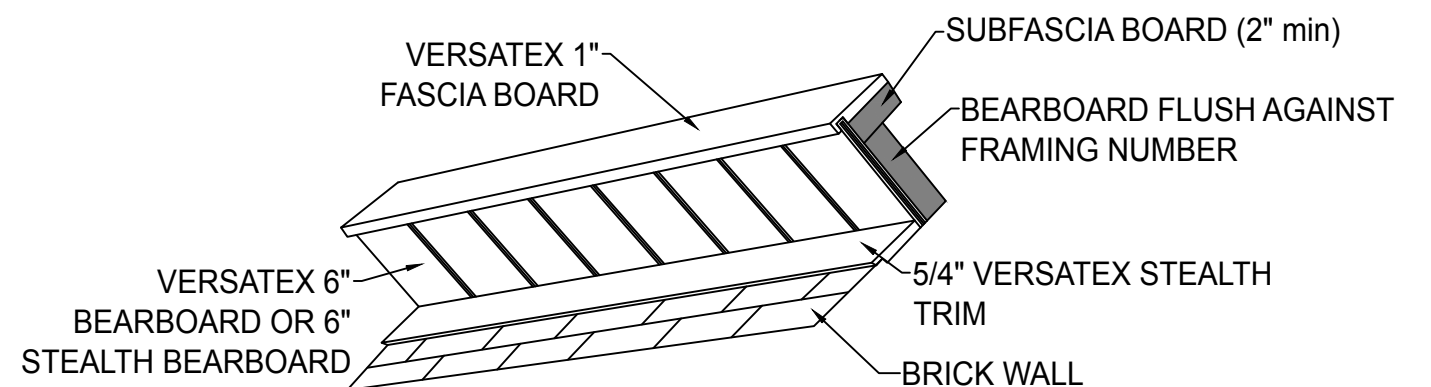
#1 PARTIAL ROOF PLAN



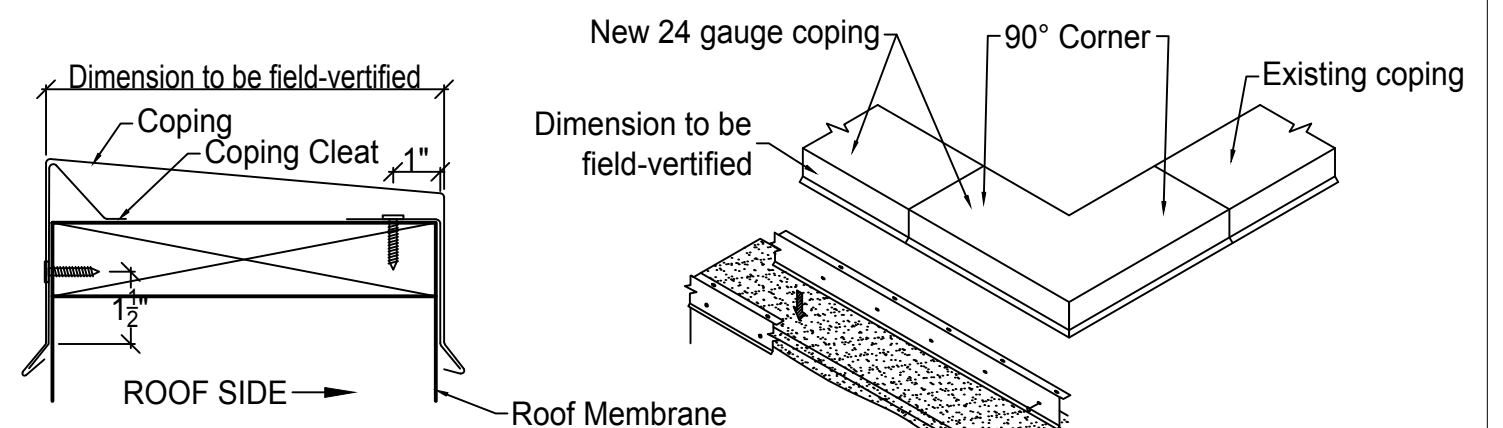
#2 WALL SECTION



#3 TIE-IN



#4 FASCIA



#5 COPING